

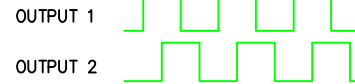
REVISIONS				
ZONE	REV	DESCRIPTION	DATE	APP

- SUPPLY VOLTAGE: 6V TO 30V DC REGULATED
- SUPPLY CURRENT: 20mA MAX @ NO LOAD
- OUTPUT TYPE: PUSH/PULL, 5V
- OUTPUT SATURATION VOLTAGE HIGH: 0.6V MAX @ 30mA
- OUTPUT SATURATION VOLTAGE LOW: 0.4V MAX @ -30mA
- PROTECTION: REVERSE POLARITY AND OUTPUT SHORT CIRCUIT
- OPERATING FREQUENCY: 0Hz TO 15KHz
- AIR GAP: 0.100" (SEE NOTE 1)
- DUTY CYCLE: 50% ± 25% DEPENDENT ON TARGET GEOMETRY
- PHASE SHIFT: 90° ± 45° DEPENDENT ON TARGET GEOMETRY (SEE ALIGNMENT)
- ALIGNMENT: 12P (2M) SPUR GEAR CONTACT FACTORY FOR CUSTOM ALIGNMENT
- OPERATING TEMPERATURE: -40°C TO 125°C
- STORAGE TEMPERATURE: -40°C TO 125°C

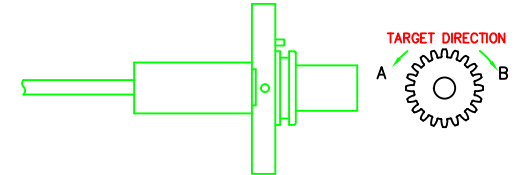
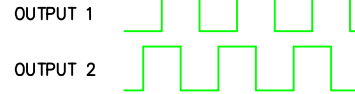
NOTES:

1. AIR GAP IS DEPENDENT ON TARGET GEOMETRY AND OPERATING FREQUENCY  
HIGHER OPERATING FREQUENCIES AND FINER PITCH GEARS MAY REQUIRE SMALLER AIR GAPS

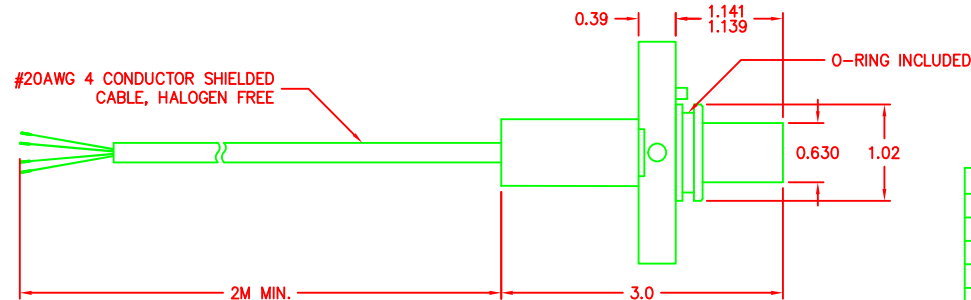
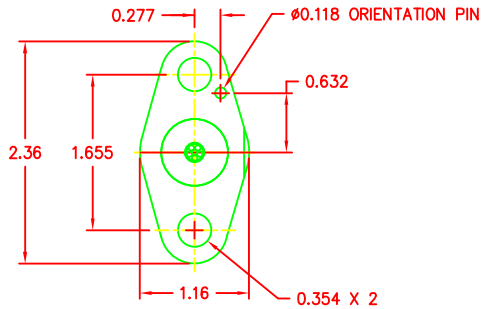
DIRECTION A



DIRECTION B



GEAR DIRECTION	OUTPUT 1	OUTPUT 2
DIRECTION A	LEAD	LAG
DIRECTION B	LAG	LEAD



WIRE DESCRIPTION	WIRE COLOR
POWER INPUT	ORANGE
POWER AND PULSE COMMON	GREEN
OUTPUT PULSE 1	BLUE
OUTPUT PULSE 2	WHITE
SHIELD	SHIELD

**786 PITTS CHAPEL ROAD**  
**ELIZABETH CITY, NC 27909**

MATERIAL	APPROVALS	
300 SERIES STAINLESS	DRAWN <b>W. STAMBAUGH</b>	DATE <b>08/24/16</b>
FINISH	CHECK <b>M. PRITCHARD</b>	DATE <b>08/24/16</b>
	ISSUED <b>M. PRITCHARD</b>	DATE <b>08/24/16</b>

UNLESS OTHERWISE SPECIFIED DIMENSIONS ARE IN INCHES. TOLERANCES OTHER THAN THE SIZE OF RAW MATERIAL SHALL BE HELD AS FOLLOWS:

1 PLACE DECIMAL	±.1
2 PLACE DECIMAL	±.01
3 PLACE DECIMAL	±.005
FRACTIONAL	±1/64
ANGULAR	±1/2°

CONFIDENTIAL PROPERTY OF MOTION SENSORS, INC. (MSI) NOT TO BE DISCLOSED TO OTHERS, REPRODUCED, OR USED FOR ANY OTHER PURPOSE, EXCEPT AS AUTHORIZED IN WRITING BY MSI. MUST BE RETURNED ON DEMAND.

**MOTION SENSORS, INC.**

TITLE  
**OUTLINE-SPECIFICATION DRAWING  
DUAL HALL EFFECT, PUSH/PULL TYPE TTL/CMOS  
(5V) OUTPUT, FLANGED HOUSING WITH CABLE**

SIZE	CAGE CODE	DWG NO	REV
<b>C</b>	<b>OY2U4</b>	<b>HD-143</b>	<b>-</b>

SCALE NONE SHEET