

4

3

2

1

DWG NO. HD-134 SH 1 REV -

REVISIONS				
ZONE	REV	DESCRIPTION	DATE	APP

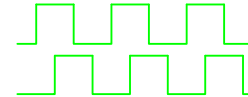
- SUPPLY VOLTAGE: 4.5V TO 30V DC REGULATED
- SUPPLY CURRENT: 10mA MAX
- OUTPUT TYPE: OPEN COLLECTOR, 30V MAX.
- OUTPUT SATURATION VOLTAGE: 0.6V MAX @ 25mA
- PROTECTION: REVERSE POLARITY AND OUTPUT SHORT CIRCUIT
- OPERATING FREQUENCY: 0Hz TO 15KHz
- AIR GAP: 0.100" (SEE NOTE 1)
- DUTY CYCLE: 50% ± 25% DEPENDENT ON TARGET GEOMETRY
- PHASE SHIFT: 90° ± 45° DEPENDENT ON TARGET GEOMETRY (SEE ALIGNMENT)
- ALIGNMENT: 12P (2M) SPUR GEAR CONTACT FACTORY FOR CUSTOM ALIGNMENT
- OPERATING TEMPERATURE: -40°C TO 125°C
- STORAGE TEMPERATURE: -40°C TO 125°C

NOTES:

1. AIR GAP IS DEPENDENT ON TARGET GEOMETRY AND OPERATING FREQUENCY
HIGHER OPERATING FREQUENCIES AND FINER PITCH GEARS MAY REQUIRE SMALLER AIR GAPS

DIRECTION A

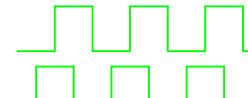
OUTPUT 1



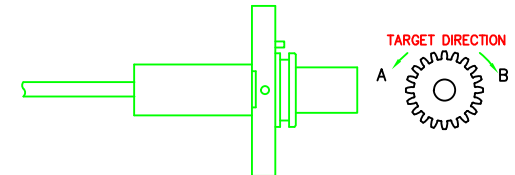
OUTPUT 2

DIRECTION B

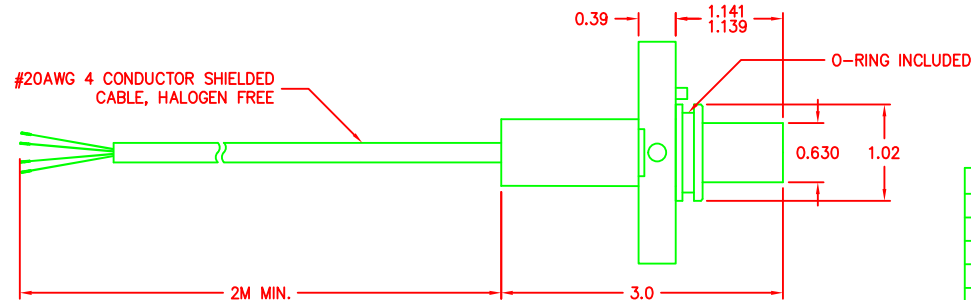
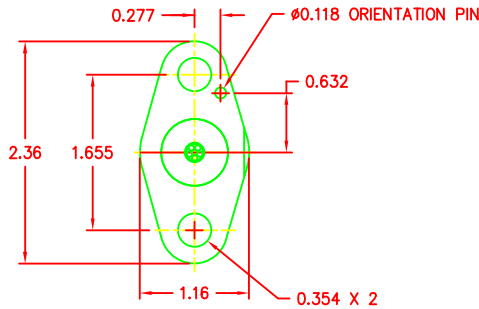
OUTPUT 1



OUTPUT 2



GEAR DIRECTION	OUTPUT 1	OUTPUT 2
DIRECTION A	LEAD	LAG
DIRECTION B	LAG	LEAD



WIRE DESCRIPTION	WIRE COLOR
POWER INPUT	ORANGE
POWER AND PULSE COMMON	GREEN
OUTPUT PULSE 1	BLUE
OUTPUT PULSE 2	WHITE
SHIELD	SHIELD

786 PITTS CHAPEL ROAD
ELIZABETH CITY, NC 27909

MATERIAL	APPROVALS	
300 SERIES STAINLESS	DRAWN W. STAMBAUGH	DATE 08/24/16
FINISH	CHECK M. PRITCHARD	08/24/16
	ISSUED M. PRITCHARD	08/24/16
CONFIDENTIAL PROPERTY OF MOTION SENSORS, INC. (MSI) NOT TO BE DISCLOSED TO OTHERS, REPRODUCED, OR USED FOR ANY OTHER PURPOSE, EXCEPT AS AUTHORIZED IN WRITING BY MSI. MUST BE RETURNED ON DEMAND.		
UNLESS OTHERWISE SPECIFIED DIMENSIONS ARE IN INCHES. TOLERANCES OTHER THAN THE SIZE OF RAW MATERIAL SHALL BE HELD AS FOLLOWS: 1 PLACE DECIMAL ±.1 2 PLACE DECIMAL ±.01 3 PLACE DECIMAL ±.005 FRACTIONAL ±1/64 ANGULAR ±1/2°		

MOTION SENSORS, INC.

TITLE
**OUTLINE-SPECIFICATION DRAWING
 DUAL HALL EFFECT, OPEN COLLECTOR OUTPUT,
 FLANGED HOUSING WITH CABLE**

SIZE C	CAGE CODE OY2U4	DWG NO HD-134	REV -
SCALE NONE	SHEET		

4

3

2

1