

REVISIONS				
ZONE	REV	DESCRIPTION	DATE	APP

NOTES

INPUT POWER:  
5 TO 30 VDC, 25 MA MAX. @ 30VDC  
REVERSE POLARITY PROTECTED

PULSE OUTPUT:  
SUPPLY TRACKING  
LOGIC 0:  $\leq 0.35$  VDC @ 15V  
 $\leq 0.8$  VDC @ 30V  
LOGIC 1:  $(V_S \times R_L)/(R_L + 2200)$

AIR GAP:  
UP TO 0.118" DEPENDENT ON TARGET GEOMETRY AND SENSOR CONSTRUCTION

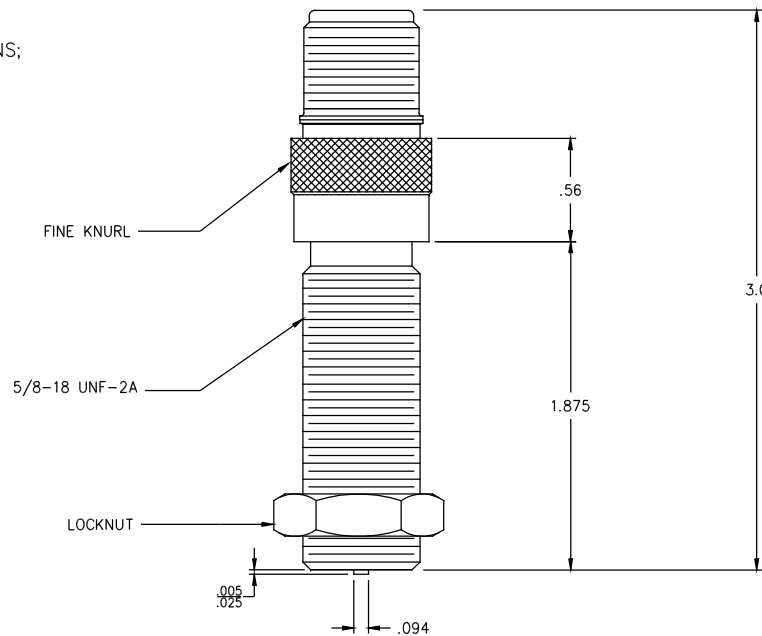
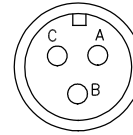
ELECTRICAL CONNECTION:  
THREE (3) PIN MIL-C-5015 TYPE CONNECTOR WITH GOLD PLATED PINS;  
MATES WITH MS3106-10SL-3S

WIRING DETAILS:  
PIN A = DC POWER INPUT  
PIN B = COMMON  
PIN C = PULSE OUTPUT

TEMPERATURE RANGE:  
OPERATING: -40°C TO 125°C

PHYSICAL FEATURES:  
BODY MATERIAL: 300 SERIES STAINLESS STEEL

CE COMPLIANT TO EMC DIRECTIVE 2004/108/EC FOR USE IN RESIDENTIAL  
COMMERCIAL, LIGHT INDUSTRIAL AND HEAVY INDUSTRIAL ENVIRONMENTS.



		MATERIAL	APPROVALS		<b>MOTION SENSORS, INC.</b> <b>ELIZABETH CITY, NC 27909</b>  TITLE OUTLINE DRAWING, EMI HARDENED ACTIVE MAG SENSOR		
		300 SERIES STAINLESS STEEL	DRAWN	N. MEADOWS		DATE	11/28/11
			CHECK	M. BERGMAN			11/28/11
		FINISH	ISSUED	JDEFEO			11/28/11
			UNLESS OTHERWISE SPECIFIED DIMENSIONS ARE IN INCHES. TOLERANCES OTHER THAN THE SIZE OF RAW MATERIAL SHALL BE HELD AS FOLLOWS: 2 PLACE DECIMAL $\pm .01$ 3 PLACE DECIMAL $\pm .005$ FRACTIONAL $\pm 1/64$ ANGULAR $\pm 1/2^\circ$				
	NEXT ASSY	USED ON			SIZE	C	
	APPLICATION				CAGE CODE	OY2U4	
					DWG NO	DME-1	
					REV	-	
					SCALE	NONE	
					SHEET		

D

C

B

A

D

C

B

A

4

3

2

1

4

3

2

1