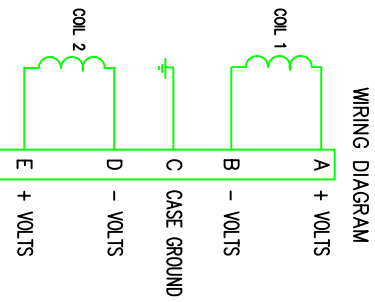
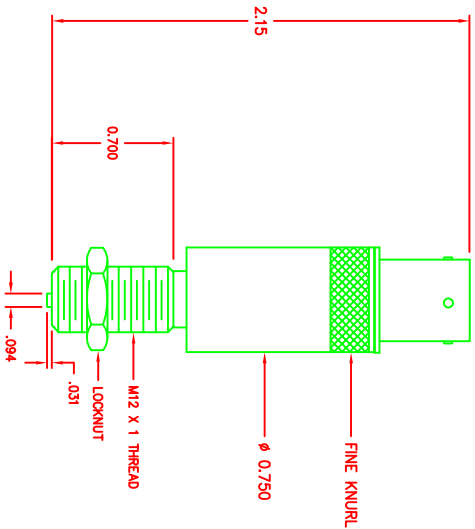
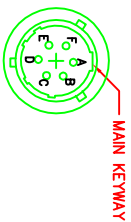


**NOTES**

- COIL RESISTANCE: COIL 1: 210 OHMS ± 25%
- COIL 2: 215 OHMS ± 25%
- COIL INDUCTANCE: COIL 1: 28mH TYP.
- COIL 2: 18mH TYP.
- OUTPUT SIGNAL: COIL 1: 1.5Vp-p
- COIL 2: 1.5Vp-p
- TEST CONDITIONS: TEST GEAR: 12 PITCH
- AIR GAP: 0.030"
- LOAD: 100KQ
- SPEED: 1000 I.P.S.
- INSULATION RESISTANCE (IR) WINDING TO CASE: > 100 MEGOHM @ 100 VOLTS.
- OPERATING TEMPERATURE: -270C TO 239C



DWG NO. PC41-16G		SH 1	REV -	1
REVISIONS				
ZONE	REV	DESCRIPTION	DATE	APP

MATERIAL		APPROVALS		TITLE <b>MOTION SENSORS, INC. ELIZABETH CITY, NC 27909</b> DUAL WINDING VR SENSOR OUTLINE/SPECIFICATION MODEL PC41-16G
300 SERIES STAINLESS STEEL		DRAWN: JDEFEO	DATE: 01/03/12	
FINISH		CHECK: M. BERGMAN	ISSUED: JDEFEO	SCALE: C
		UNLESS OTHERWISE SPECIFIED DIMENSIONS ARE THE SIZE OF RAW MATERIAL SHALL BE ± 1/24"		SIZE: 0Y2U4
		UNLESS OTHERWISE SPECIFIED DIMENSIONS ARE THE SIZE OF RAW MATERIAL SHALL BE ± 1/24"		DWG NO: PC41-16G
		2 PLACE REMAIN ± 1/32"		REV: -
		3 PLACE REMAIN ± 1/24"		SHEET
		CONFECTIONAL PROPERTY OF MOTION SENSORS, INC. (MSI) NOT TO BE DISCLOSED TO OTHERS, REPRODUCED, COPIED, OR TRANSMITTED IN ANY FORM OR BY ANY MEANS, WITHOUT THE WRITTEN PERMISSION OF MSI. MUST BE RETURNED ON DEMAND.		
APPLICATION	USED ON			

WIRING DIAGRAM

A + VOLTS  
B - VOLTS  
C CASE GROUND  
D - VOLTS  
E + VOLTS

COIL 1  
COIL 2

4

3

2

1

4

3

2

1